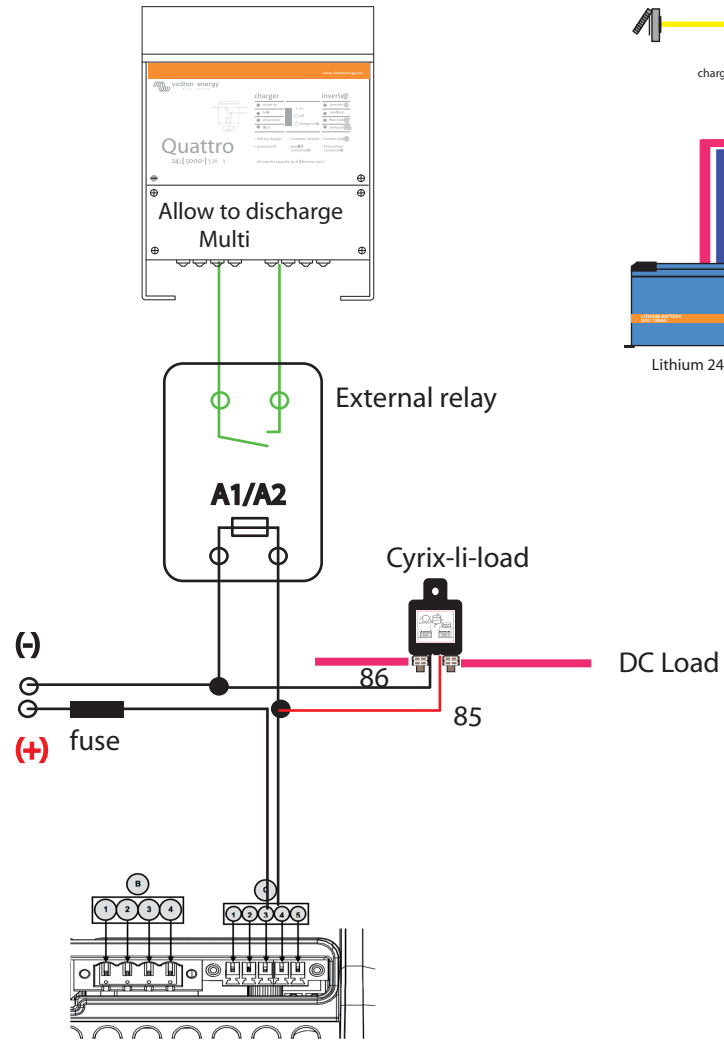


Conn.	Pin	I/O	Voltage Max.	Current Max.	Purpose
B	1	Out	+ V System	10 A	External status output (*1)
	2		GND		
	3	Out	+ V System	10 A	External safety contactor
	4		GND		
C	1		60 V	1.0 A @ 60 V	Allow-to-charge
	2	In			External START-button(*2)
	3		60 V	1.0 A @ 60 V	Allow-to-discharge

(\*1) External status output, available from firmware version 1.19. Earlier software version used this output as a bilge pump output.  
 (\*2) Available from hardware REV0 of the Lynx Ion.



Conn.	Pin	I/O	Voltage Max.	Current Max.	Purpose
B	1	Out	+ V System	10 A	External status output (*1)
	2		GND		
	3	Out	+ V System	10 A	External safety contactor
	4		GND		
C	1		60 V	1.0 A @ 60 V	Allow-to-charge
	2	In			External START-button(*2)
	3		60 V	1.0 A @ 60 V	Allow-to-discharge

(\*1) External status output, available from firmware version 1.19. Earlier software version used this output as a bilge pump output.  
 (\*2) Available from hardware REV0 of the Lynx Ion.

