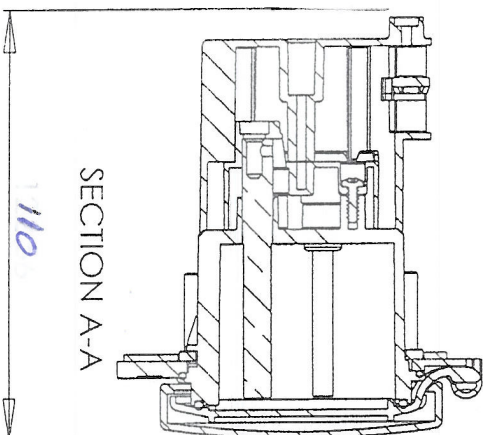
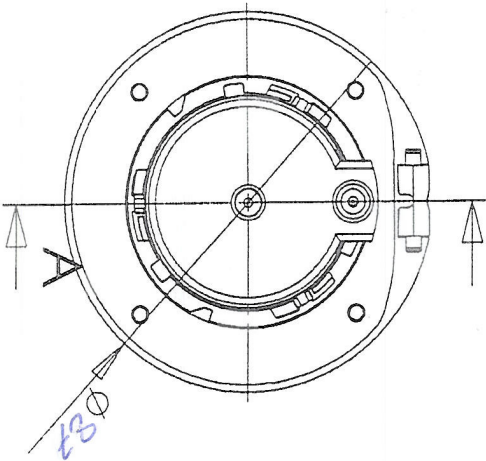
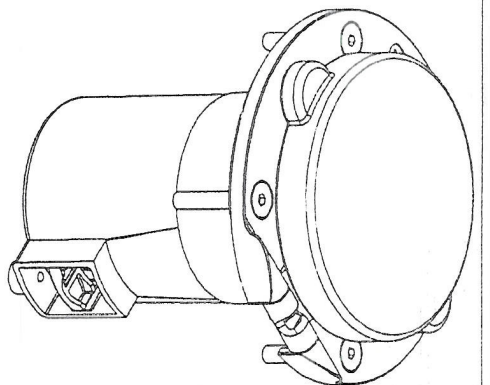
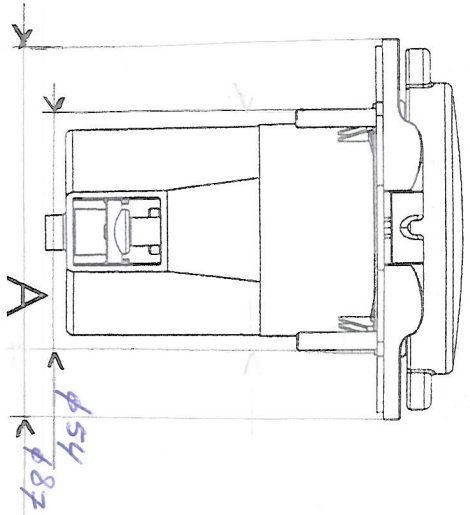
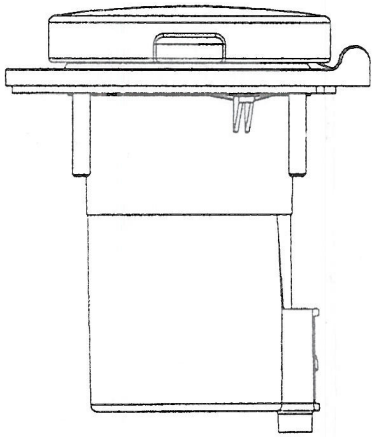
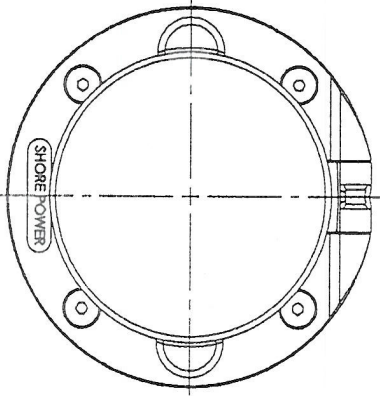


THE INFORMATION CONTAINED IN THIS DRAWING IS THE SOLE PROPERTY OF
 HOEST PRODUKTENTWICKLUNG. ANY REPRODUCTION IN PART OR WHOLE WITHOUT
 THE WRITTEN PERMISSION OF HOEST PRODUKTENTWICKLUNG IS PROHIBITED.

PRODUCTION
 (3d-file leading)



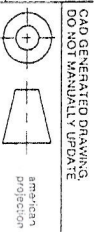
UNLESS OTHERWISE SPECIFIED
 DIMENSIONS ARE IN MILLIMETERS
 TOLERANCES ARE ACCORDING
DIN 16901

VOLUME: ..

MATERIAL: ..

FINISH: ..

DO NOT SCALE DRAWING



UNLESS OTHERWISE SPECIFIED
 DIMENSIONS ARE IN MILLIMETERS
 TOLERANCES ARE ACCORDING
DIN 16901

APPROVALS

DRAWN: 3DE DATE: 6/29/2007

CHECKED: ..

NOTES: ..

MP16-10 (inlet-assembly)

CLIENT: ..

SIZE: A4

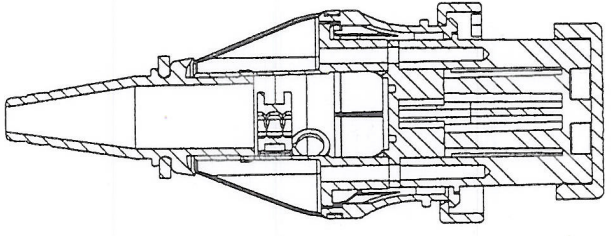
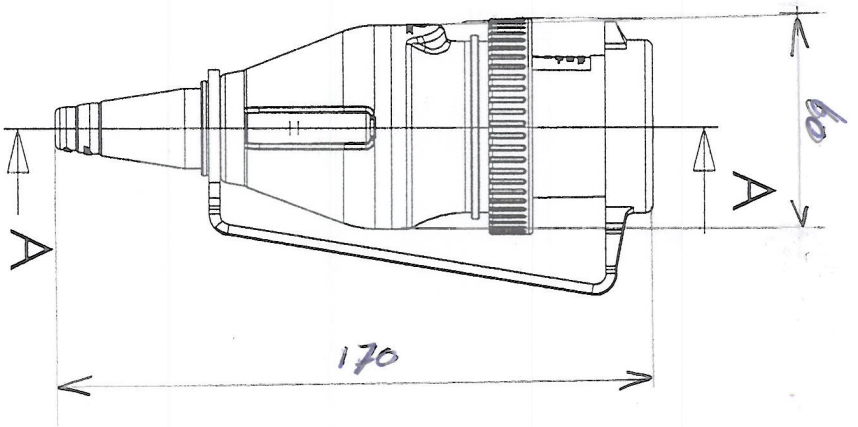
DWG. NO. MP16-10

SCALE: 1:2

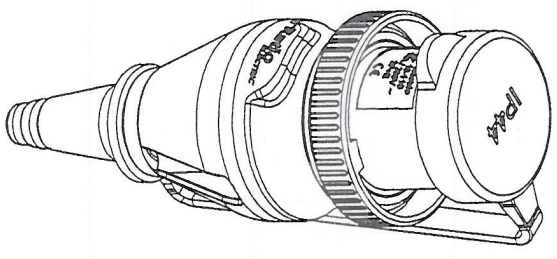
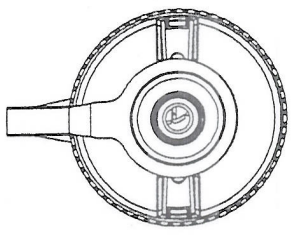
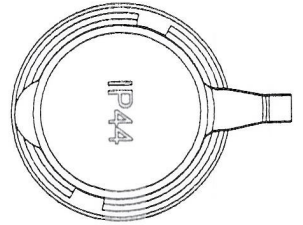
CAD FILE: MP16-10 (inlet-assembly).sldprt SHEET 2 OF 2

THE INFORMATION CONTAINED IN THIS DRAWING IS THE SOLE PROPERTY OF NOEST production equipment. ANY REPRODUCTION IN PART OR WHOLE WITHOUT THE WRITTEN PERMISSION OF NOEST production equipment IS PROHIBITED.

PRODUCTION
(3d-file leading)



SECTION A-A



UNLESS OTHERWISE SPECIFIED DIMENSIONS ARE IN MM TOLERANCES ARE ACCORDING DIN 16901		CAD GENERATED DRAWING DO NOT MANUALLY UPDATE		American projection	
VOLUME:		APPROVALS	DATE	CLIENT: --	
MATERIAL:	--	DRAWN	3DE	7/2/2007	SIZE DWG. NO. MP16-110
FINISH:	--	CHECKED	--	--	REV
CC: 103 CAD: 0000000		NOTES			

MP16-110(plug assembly)

MP16-110